

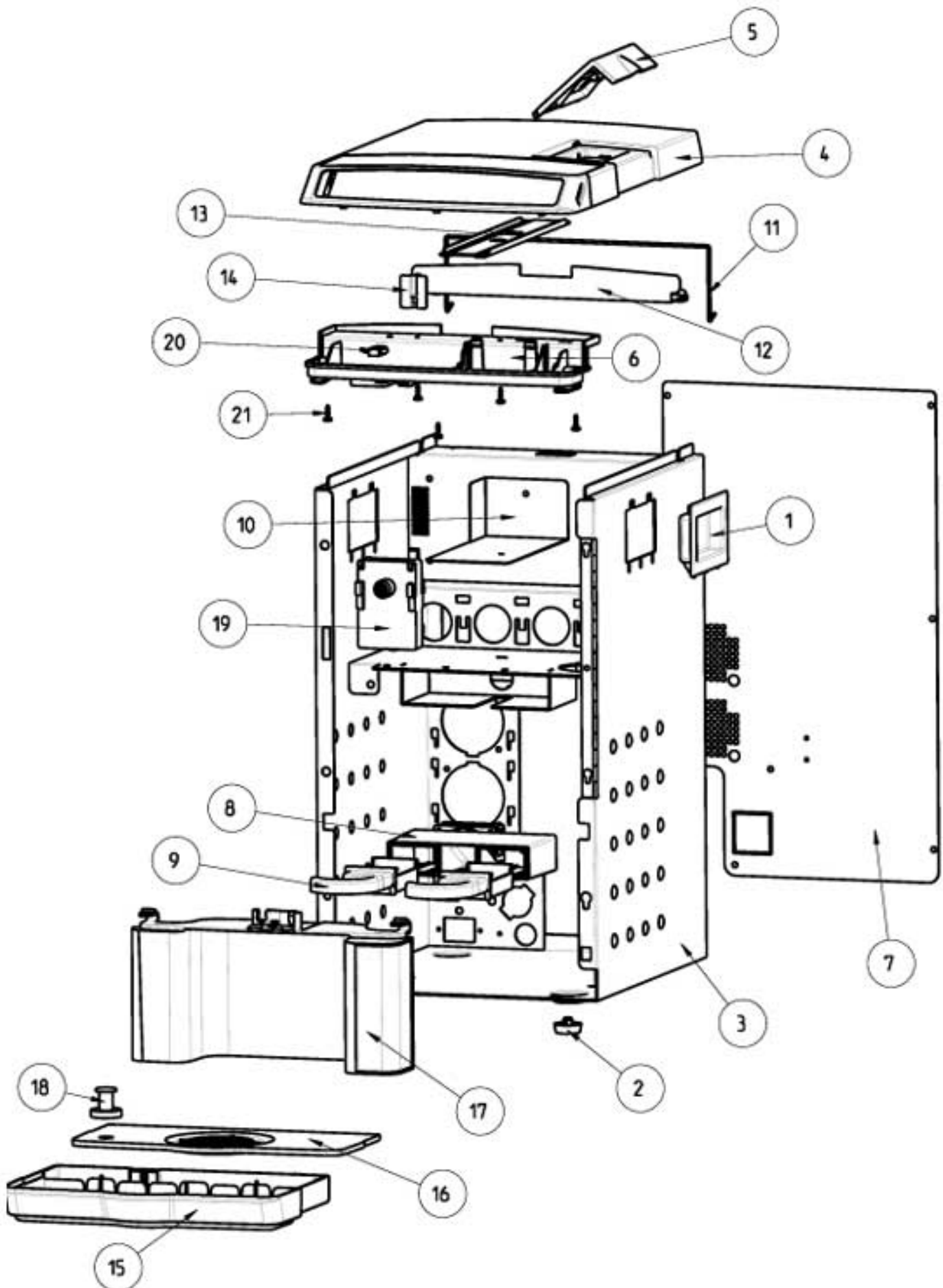
**rheavendors** 

vending machine

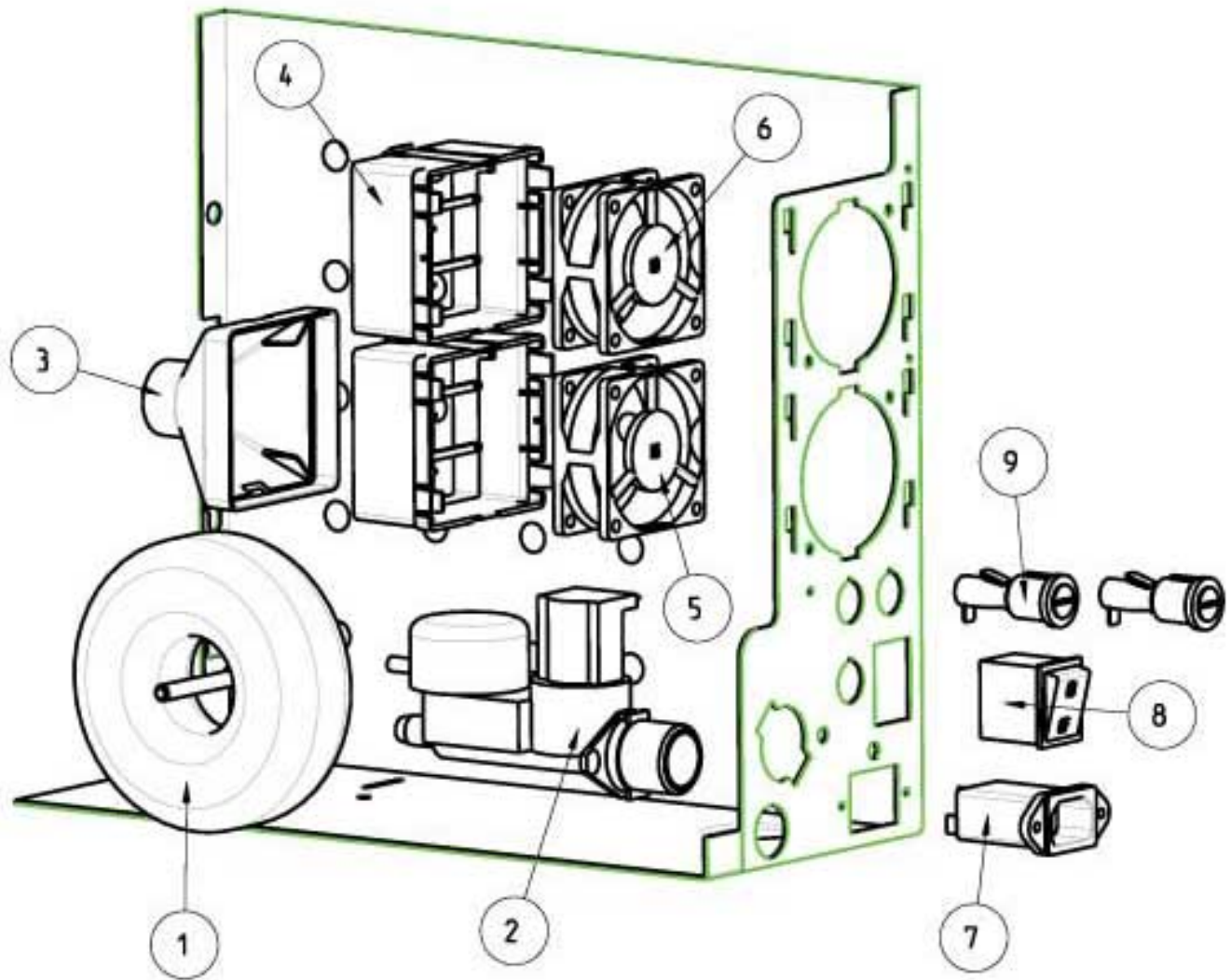
**[MINI]**



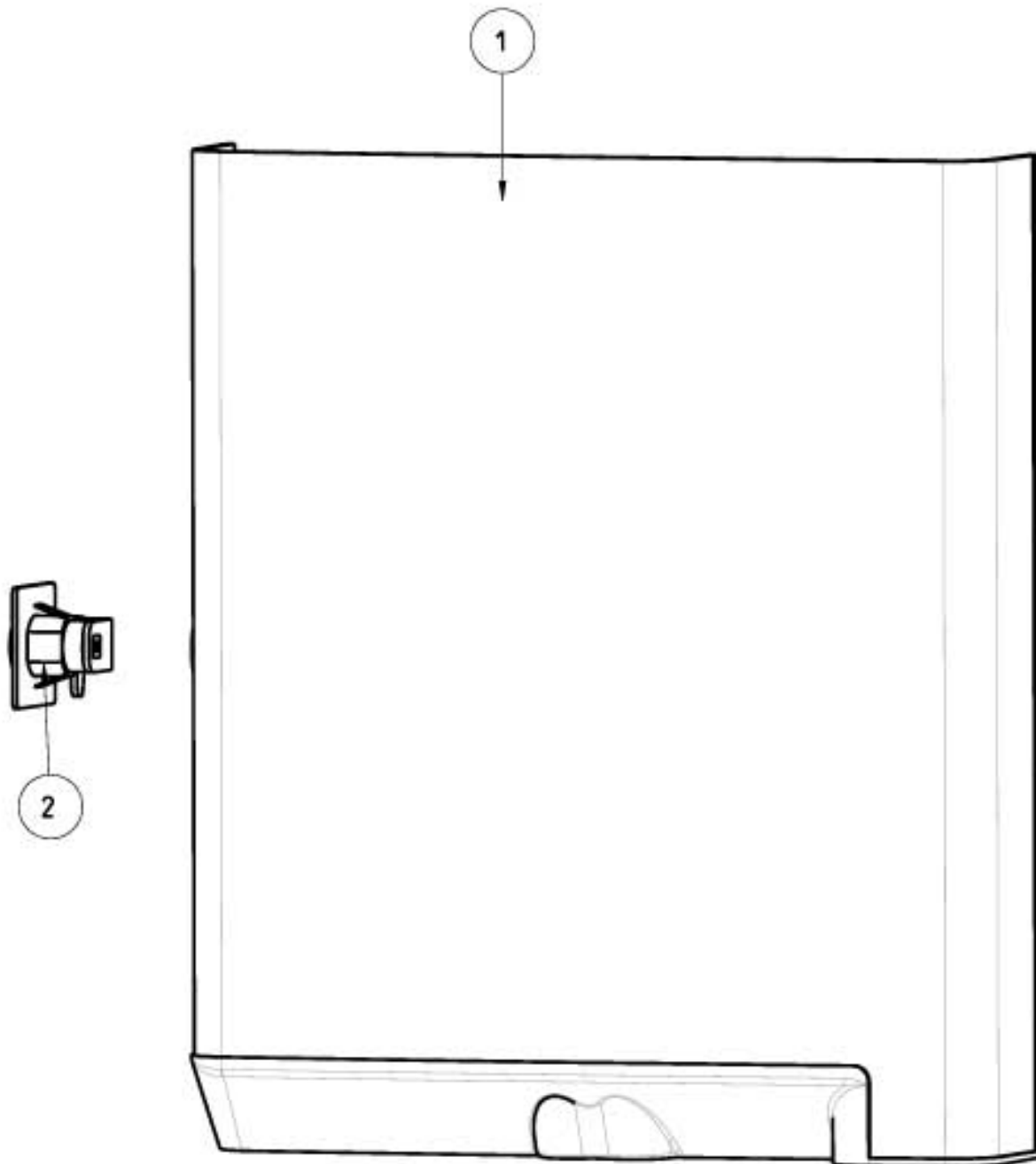
spare parts manual



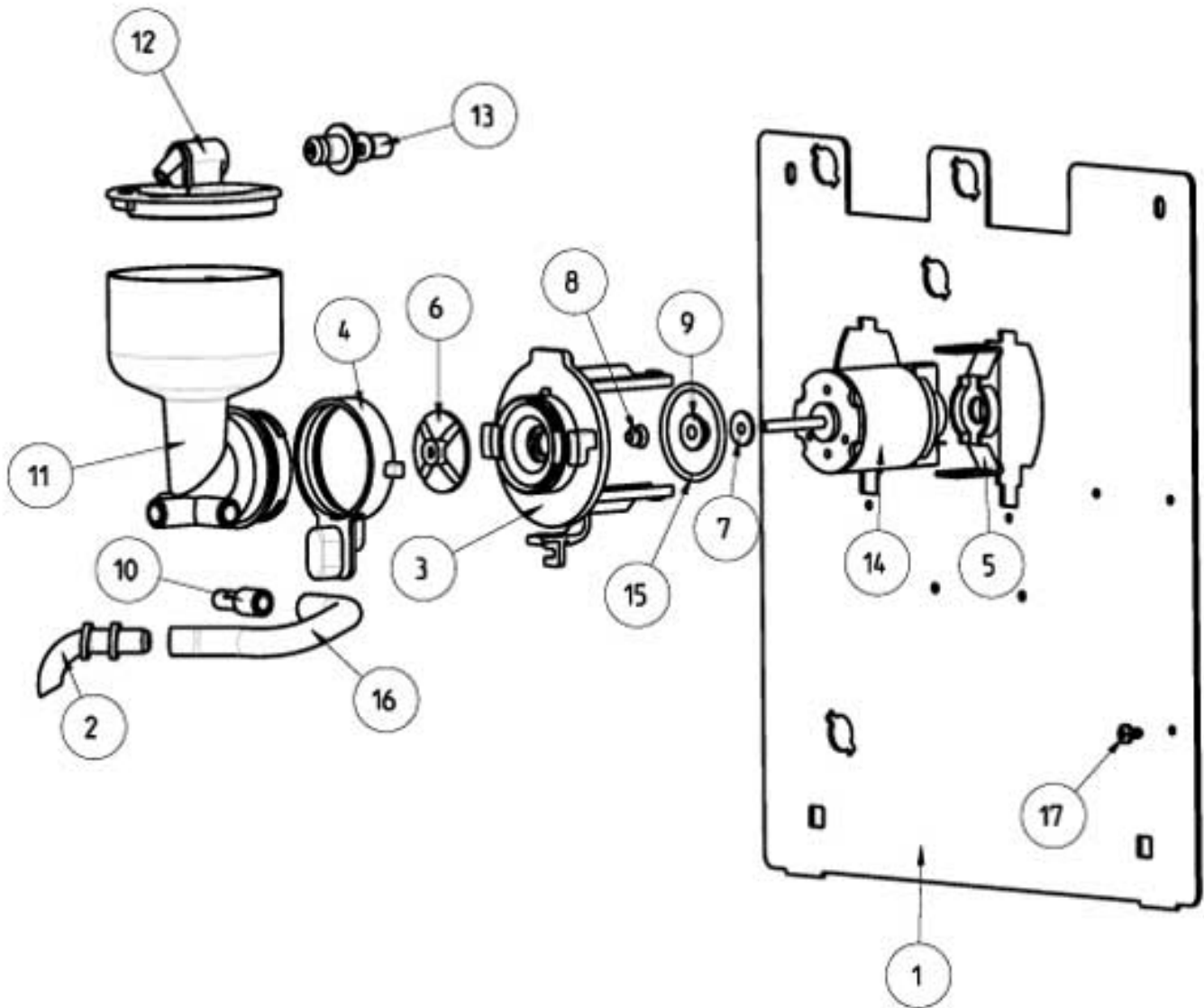
Pos.	Code	Description
1	0010020026NA	HANDLE
2	GUA0011011	D.25 SELFLOCKING FEET WITH PIN
3	0010027005	BASE CABINET STRUCTURE
4	0010027015	BASE CABINET COVER
5	0010027016	LIQUIDS COLLECTION TRAY
6	0010027017	COVER CLOSING
7/a	0010027018	BACK COVER Up to serial 0343999
7/b	0010027085	BACK COVER From serial 0344001
8	0010027021	EXHAUST DRAWER
9	0010027022	EXTERNAL EXHAUST DRAWER
10	0010027028	PLANE CLOSING GASKET
11	0010027029	UPPER COVER CONNECTION
12	0010027045	UPPER COVER HINGE
13	0010027049	PLATE WIRING CLOSING
14	0010027055	SERVICE KEY
15	0020037037	WATER TRAY
16	0020037038	WATER COLLECTION DRAY GRATE
17	0020037041	CUPS STOP SUPPORT
18	0020037044	FLOATER ASSEMBLY
19	0090002113	MR NCJM2480-X 24VDC
20	ELT0007301CL	MICRO XC8/JI + CABLE
21	VIT0002452	TAPPING SCREW TCB 3.5 x 12



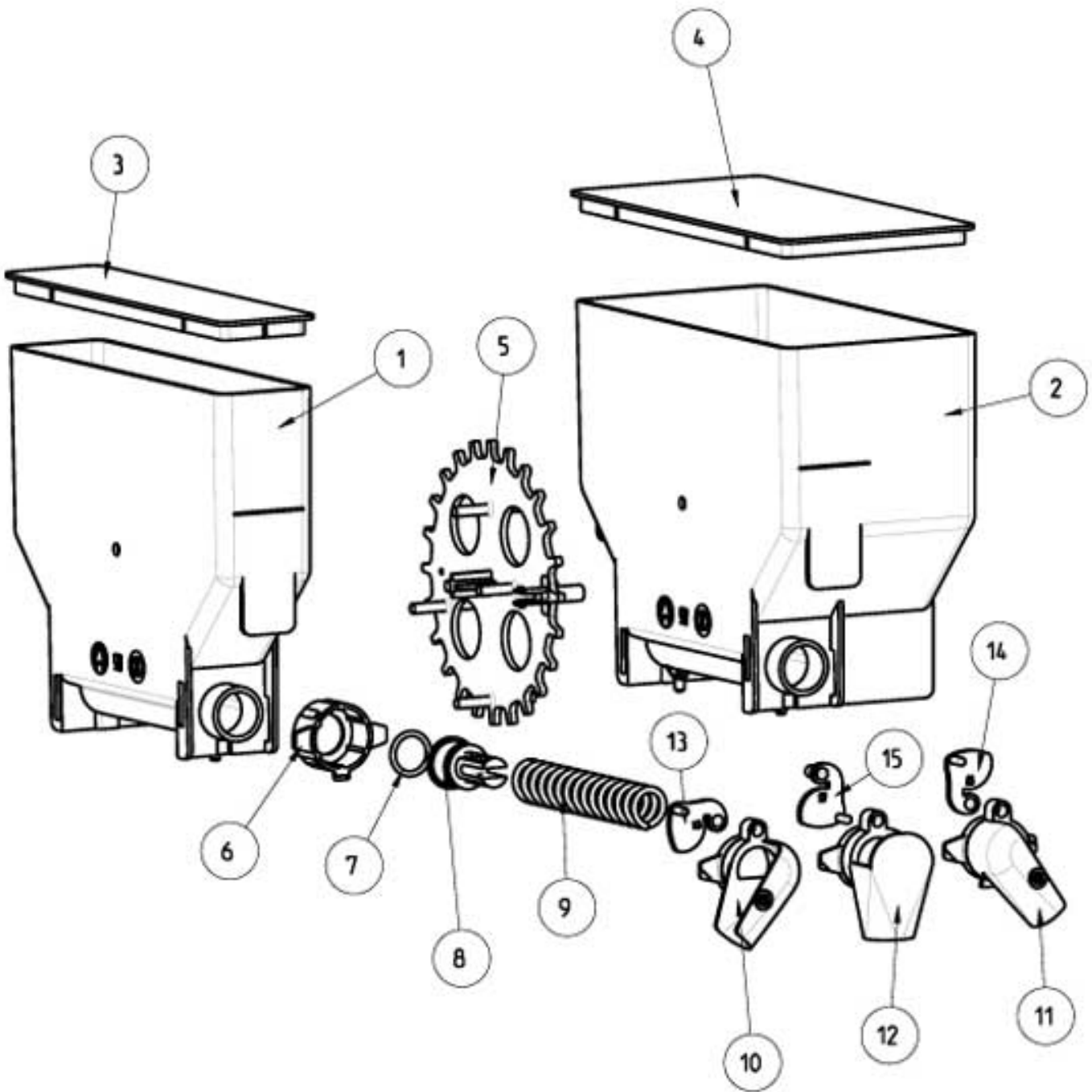
Pos.	Code	Description
1	ELE0000555CL	TOROIDAL TRANSFORMER
2	0110001039	24 DC INLET VALVE W/SAFETY DEV.
3	0010027065	CONNECTION CONDUIT IF THE VENDING MACHINE I OLDER THAN THE PART NUMBER 0344001 PLEASA BUY ALSO POS.4 +
4	0010027064	FAN TRAY IF THE VENDING MACHINE I OLDER THAN THE PART NUMBER 0344001 PLEASA BUY ALSO POS.4 + CODE 001002
5	ELE0000461	AXIAL FAN AD0624HS 24DC IF THE VENDING MACHINE I OLDER THAN THE PART NUMBER 0344001 PLEASA BUY ALSO POS
6	ELE0000462	AXIAL FAN FL0625LD 24DC IF THE VENDING MACHINE I OLDER THAN THE PART NUMBER 0344001 PLEASA BUY ALSO POS
7	ELE0002315	FILTER SOCKET 115/250V 10A IF THE VENDING MACHINE I OLDER THAN THE PART NUMBER 0344001 PLEASA BUY ALSO P
8	ELE0002014	15A 250V ON/OFF UL/CSA BIPOLAR SWITCH IF THE VENDING MACHINE I OLDER THAN THE PART NUMBER 0344001 PLEASA
9	ELE0003508CL	FUSES HOLDER FH-C0345+FUSE12A IF THE VENDING MACHINE I OLDER THAN THE PART NUMBER 0344001 PLEASA BUY A
10	0010027085	BACK COVER



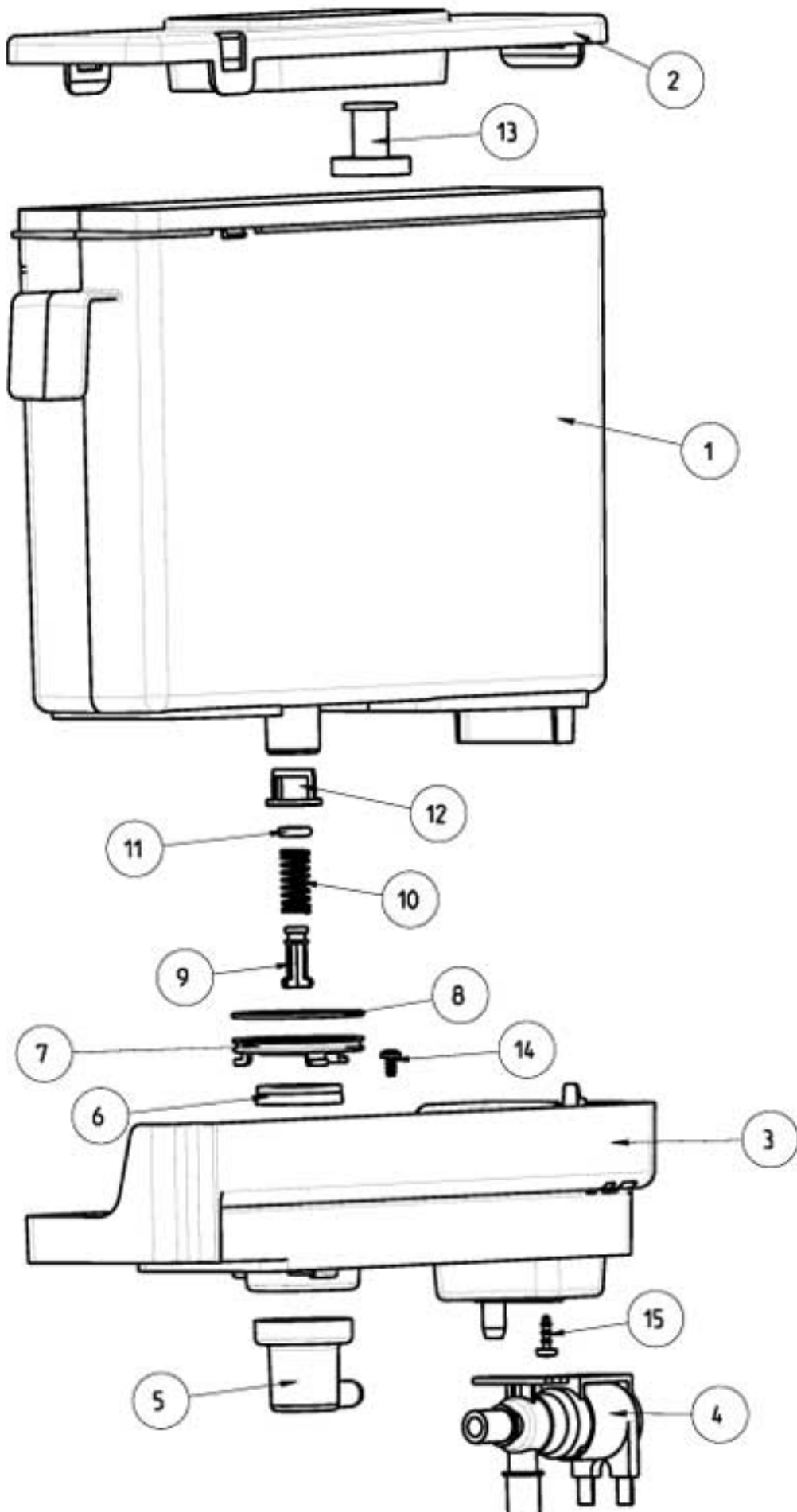
Pos.	Code	Description
1	0020037035	DOOR
2	0020037015R	ASSEMBLY DOOR LOCK



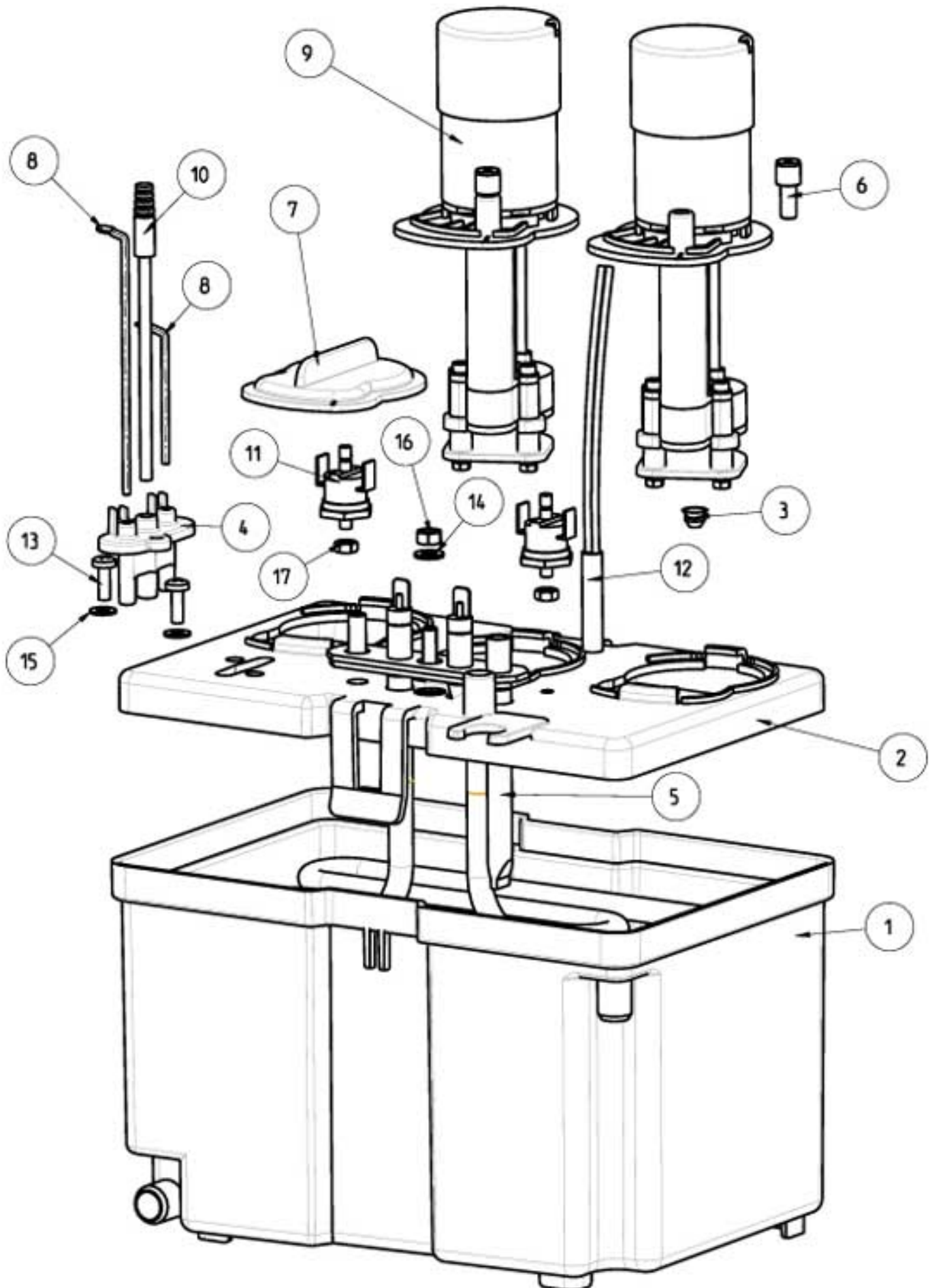
Pos.	Code	Description
1	0010027019	MIXER PLAN
2	0010020052	INGREDIENT PIPE
3	0080100005	MIXER BASE
4	0080100006	STOPPER RING
5	0080100009	MOTOR HOUSING CONNECTION
6	0080100011	SMALL FAN MIXER SHAFT D.4
7	0080100024	DRIP TRAP FAN
8	0080100014	MIXER SHAFT GASKET D.4
9	0080100015	MIXER BASE BUSH
10	0080100044	COFFEE OUTLET REDUCTION D.4
11	0080100041	BODY WITH TRAY
12	0080100042	TRAY RING
13	0080100043	SHORT MIXER INSERT
14	0090003023	24 V DC MIXER MOTOR SHAFT D.4
15	GUA0000084	OR 3131
16	TSIL06/11T	TRANSPARENT SILICONE PIPE
17	VIT0000030	SCREW TCB M4 x 7



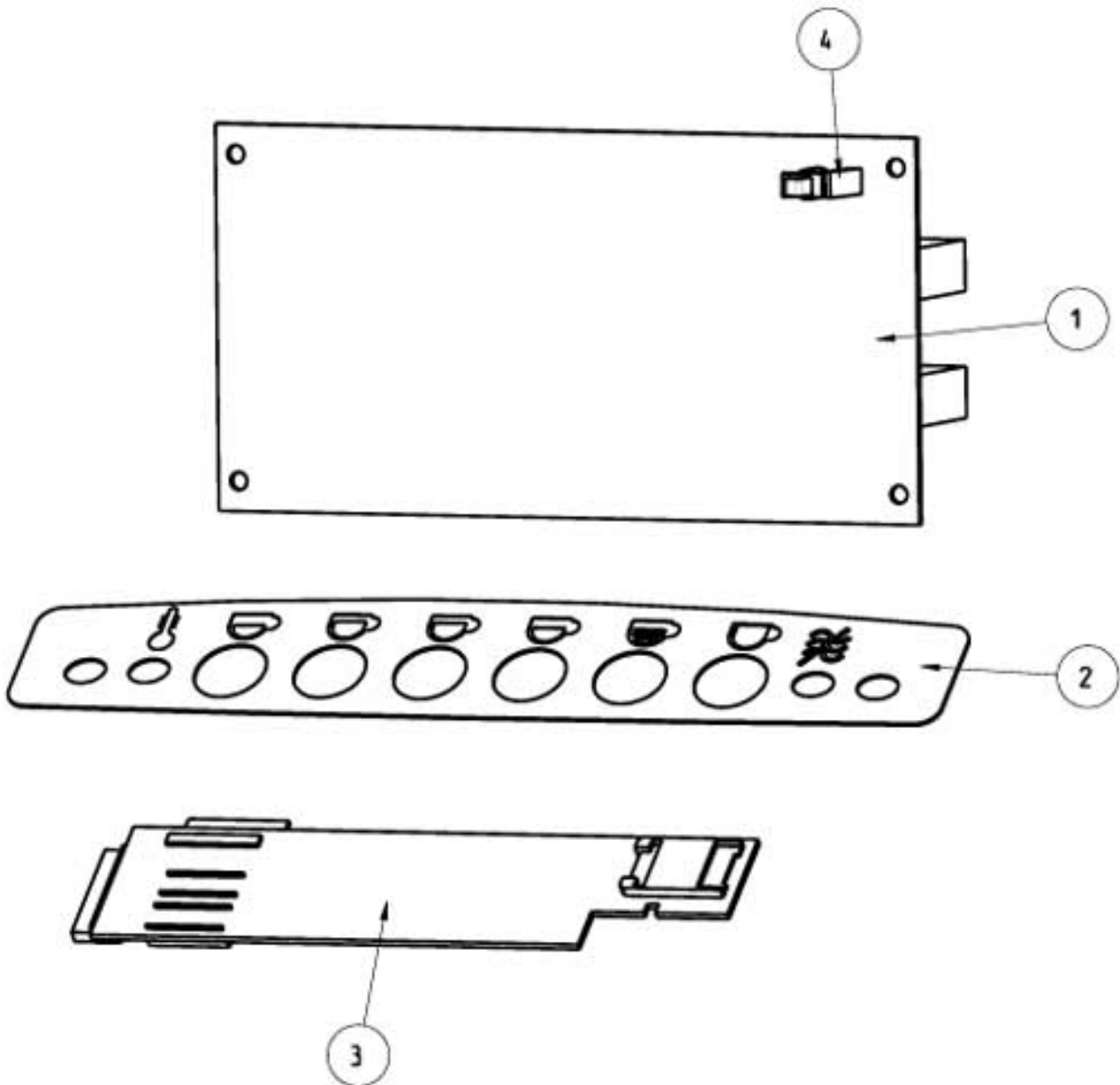
Pos.	Code	Description
1	0230030155	PLASTIC INGREDIENT CONTAINER 55 mm. PP
2	0230030157	PLASTIC INGREDIENT CONTAINER 110 mm. PP
3	0230030156	CONTAINER COVER 54 mm.
4	0230030158	CONTAINER COVER 110 mm.
5/a	0230030159	MIXER GEAR
5/b	0230030161	MIXER GEAR mm.110
6	0230030011	REAR BUSH
7	GUA0000083	OR 123
8	0230030012	WORM SCREW PIN
9/a	0230030014	WORM SCREW P.18
9/b	0230030013	WORM SCREW P. 9
10/a	0230030043R	LEFT CONVEYOR INGREDIENT
10/b	0230030017R	LEFT CONVEYOR INGREDIENT
11/a	0230030044R	RIGHT CONVEYOR INGREDIENT
11/b	0230030018R	RIGHT CONVEYOR INGREDIENT
12/a	0230030019R	CONVEYOR INGREDIENT
12/b	0230030055R	CONVEYOR INGREDIENT
100	0230030155CL	CONTAINER MM.54 VSF 18
101	0230030156CL	CONTAINER MM.54 VSF 9
102	0230030159CL	CONTAINER MM110 SX EXIT VSF18



Pos.	Code	Description
1	0800012506	WATER TANK
2	0800012507	COVER WATER TANK
3	0800012511	SUPPORT WATER TANK
4	0110001103	EV NC.2VIE S/R 24DC D.7
5	0800012512	WATER TANK ELBOW
6	GUA0002100	GASKET GU84-118075 SILIC.
7	0800012515NA	RING STOPPER GASKET
8	GUA0000046	2137 OR
9	0800012009	WATER TANK CLOSING PIN
10	0800012012	CLOSING PIN SPRING
11	GUA0000082	SILICONE GASKET D.6 CORD 3
12	0110020011	FILTER
13	0020037046	FLOATER "T"RAL3020 XX
14	VIT0002009	TAPPING SCREW T.C.B. 3,5 x 6,5
15	VIT0002452	TAPPING SCREW TCB 3.5 x 12



Pos.	Code	Description
1	0600016401	BOILER TANK
2	0600016402	BOILER COVER
3	0080100014	MIXER SHAFT GASKET D.4
4	0600016059	PROBE SUPPORT
5	0600016415R	1300W 230V C/GUA HEATING ELEMENT
6	0600016418	REDUCTION
7	0600016445	SEAT PUMP COVER
8	0600016054R	BOILER LEVEL PROBE
9	0600016405R	BOILER PUMP
10	ELE0000963R	PRIMA SOLUBLE PROBE
11	ELE0000965	MANUAL RESET THERMOSTAT 88°C
12	ELE0003026CL	121° FUSE ASSEMBLED
13	VIT0001005	SCREW T.C.B. M 4 x 12
14	VIT0003203	STAINLESS STEEL FLAT WASHER D.5.3 x 10 x 1
15	VIT0003211	STAINLESS STEEL FLAT WASHER D.4,3 x 9 x 0,8
16	VIT0004804	STAINLESS STEEL NUT M5
17	VIT0004816	STAINLESS STEEL NUT M4
100	0600016400CL	BOILER ASSEMBLY 230V XX
101	0600016420CL	3 PUMP BOILER ASSEMBLY 230V XX



## *MINI - CONTROL AND POWER LOGIC*

Pos.	Code	Description
1	SCH0005360	CPU POWER
2	0010027031	STD SILK-SCREEN KEYBOARD
3	SCH0005220	KEYBOARD INTERFACE
4	ELE0062008	BOARD SUPPORT